

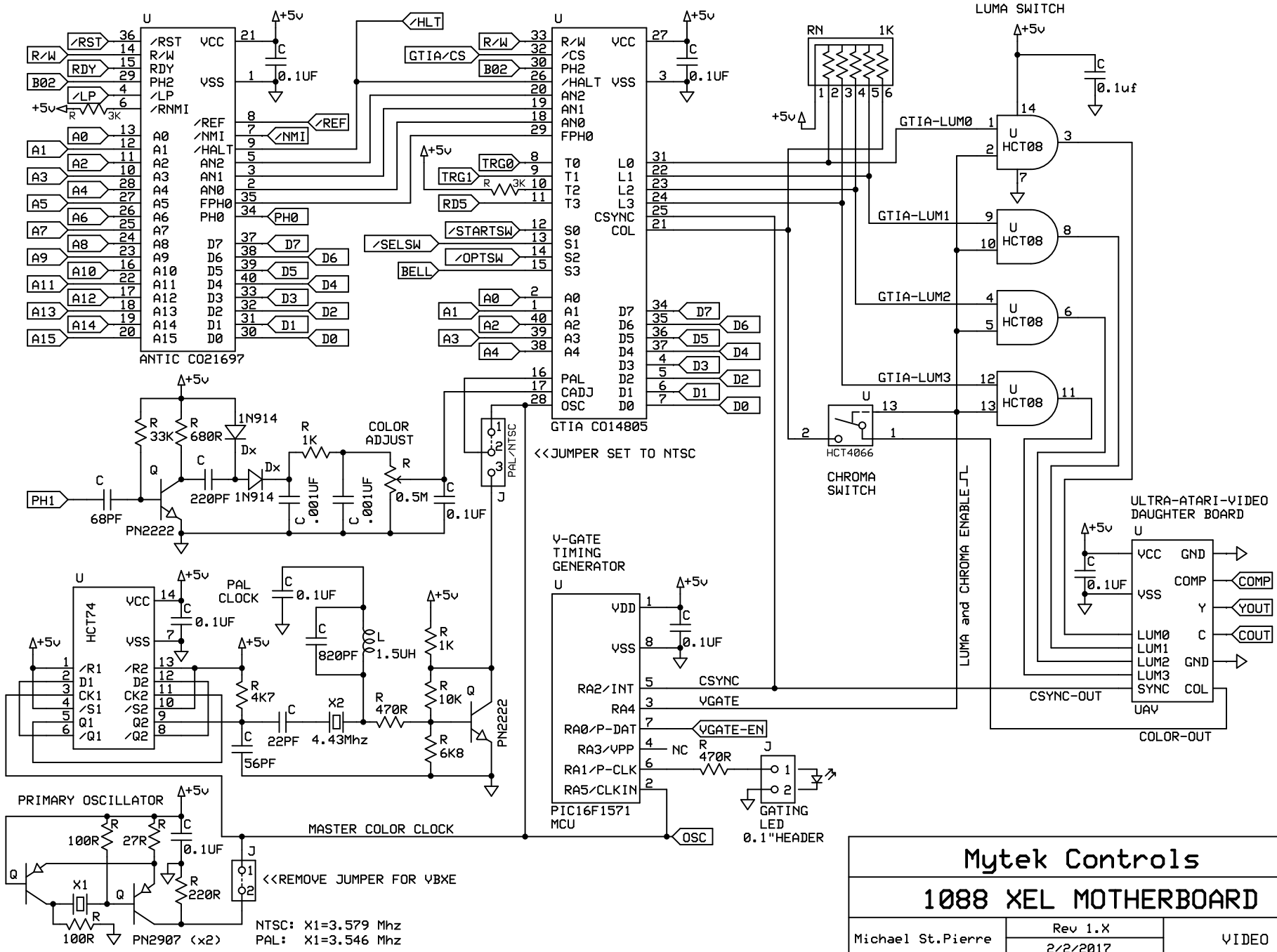
<b>Mytek Controls</b>		
<b>1088 XEL MOTHERBOARD</b>		
Michael St.Pierre	Rev 1.X 2/2/2017	CPU/MEMORY

\*NOTE: OUTPUT RESISTORS ARE FOR IMPEDANCE MATCHING TO MINIMIZE OVER/UNDERSHOOT

**VIDEO CO-PROCESSOR**

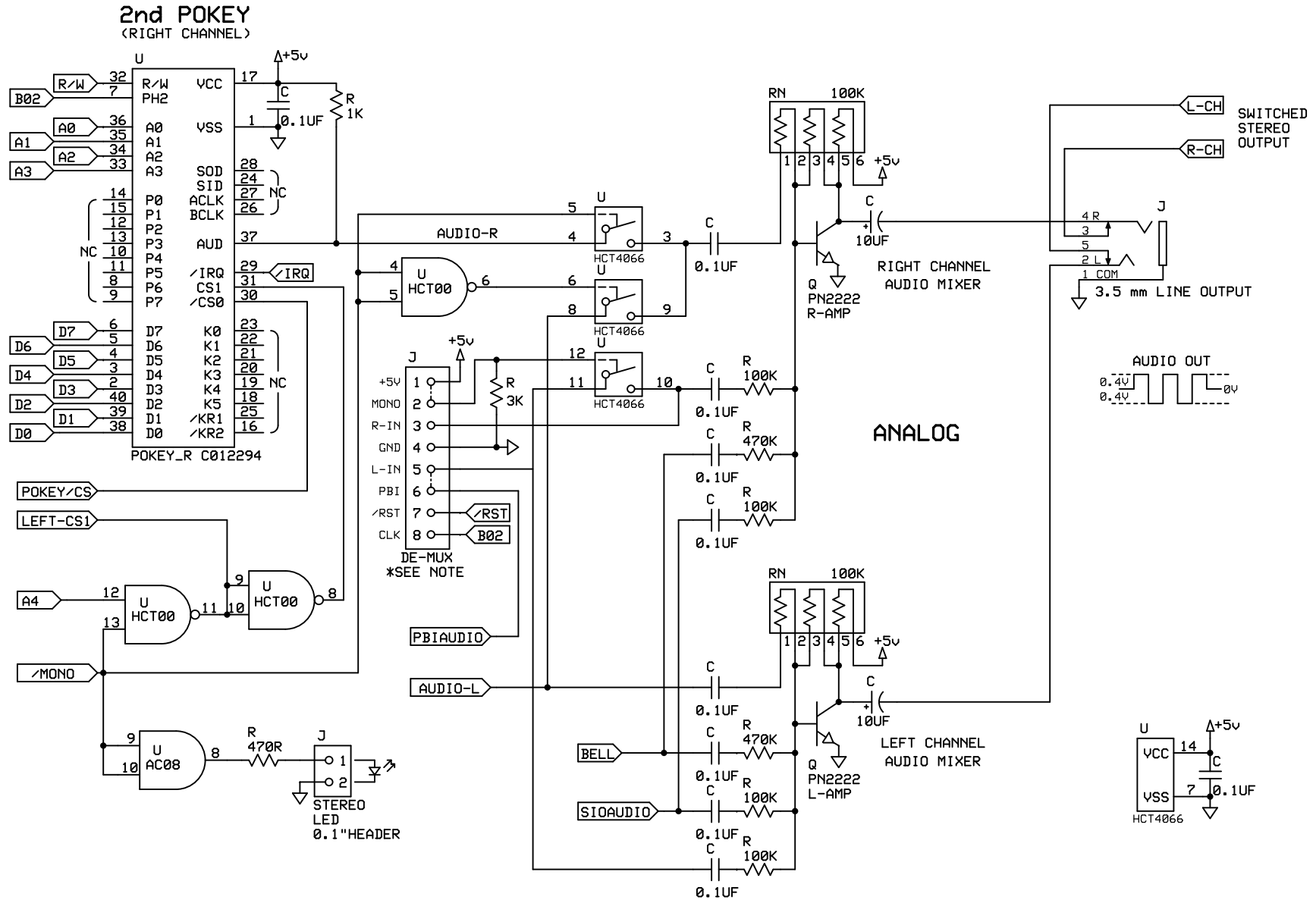
**COLOR TV INTERFACE**

**VIDEO GATING**



<b>Mytek Controls</b>		
<b>1088 XEL MOTHERBOARD</b>		
Michael St.Pierre	Rev 1.X 2/2/2017	VIDEO





\*NOTE: PBI AUDIO DE-MULTIPLEXING STEREO PROCESSING PORT (WHEN NO BOARD PRESENT JUMPER AS SHOWN)

<b>Mytek Controls</b>		
<b>1088 XEL MOTHERBOARD</b>		
Michael St.Pierre	Rev 1.X 2/2/2017	AUDIO



