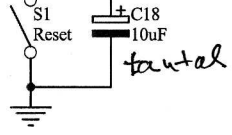
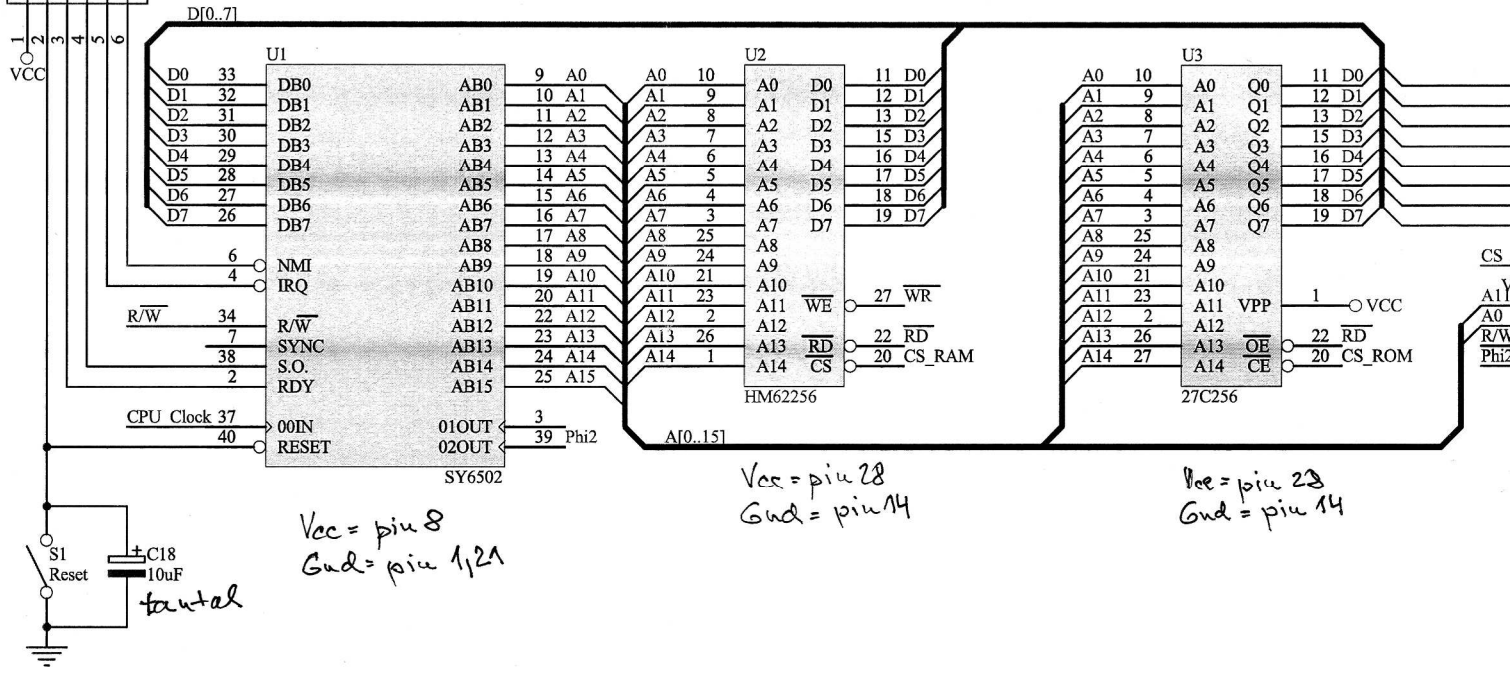
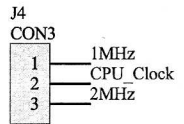


MICRO UK101 / 32 kByte RAM

RP1 RESPACK5 5x 4k7



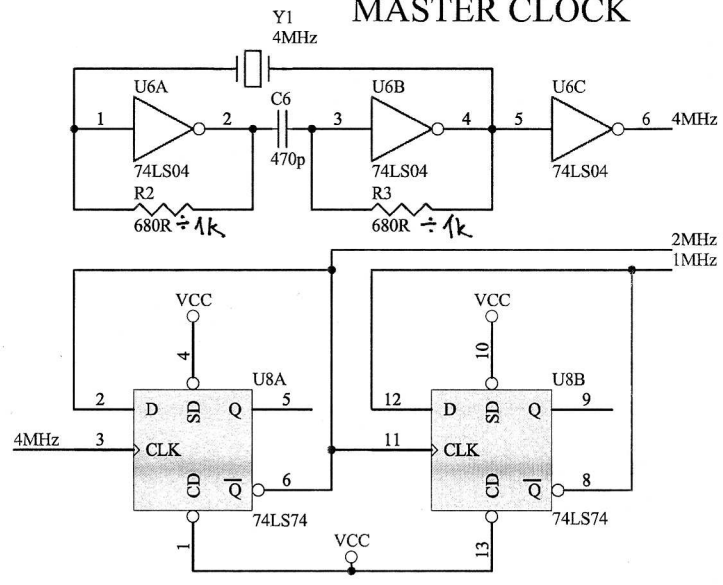
CPU SPEED



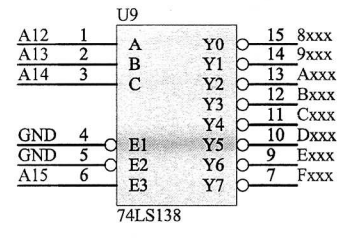
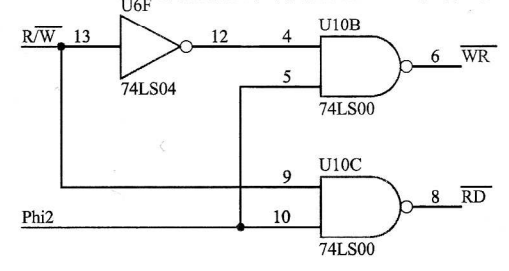
74LS04 - Vcc = piu 14
 Gnd = piu 7

74LS02 - Vcc = piu 14
 Gnd = piu 7

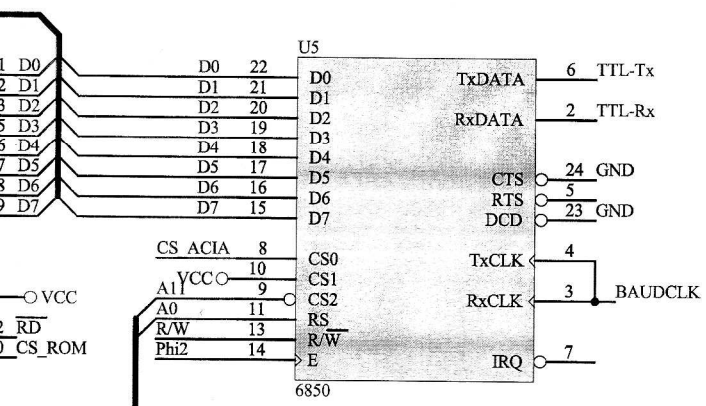
MASTER CLOCK



READ/WRITE LOGIC

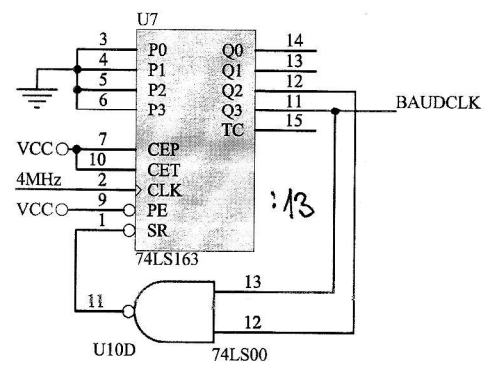


Error log



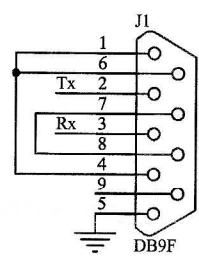
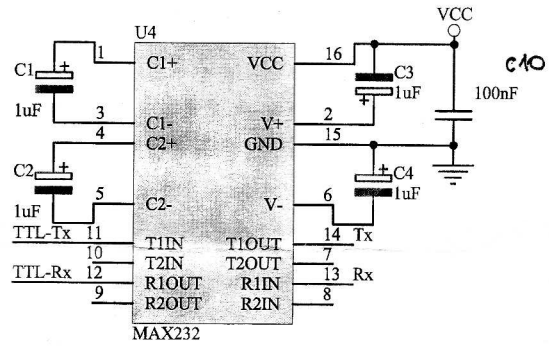
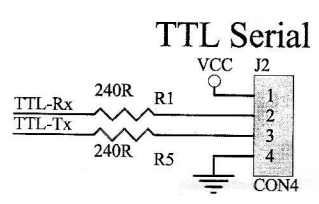
*Vcc = piu 12
Gnd = piu 1*

SERIAL CLOCK



*Vcc = piu 16
Gnd = piu 8*

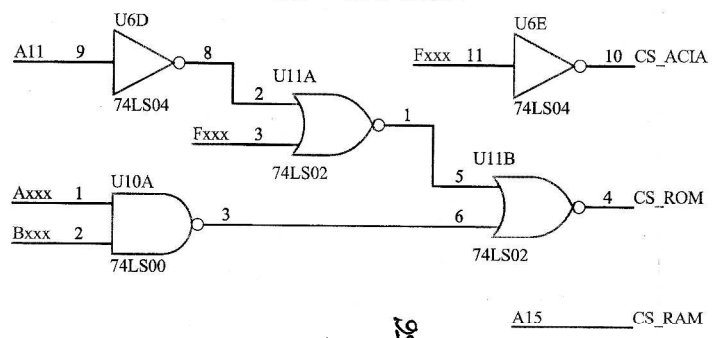
RS-232



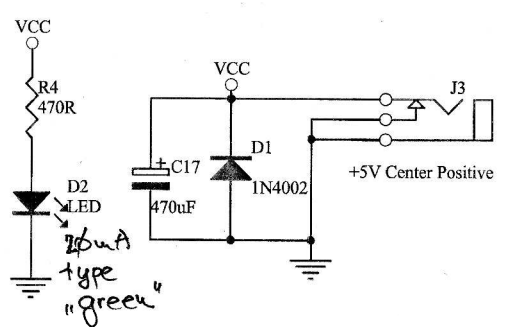
C1, C2, C3, C4 = 1uF for MAX232
C1, C2, C3, C4 = 0,1uF for MAX232A

LOGIC

ADDRESS DECODE



POWER & LED



*Error correction:
lgi 08.03.
2021*

