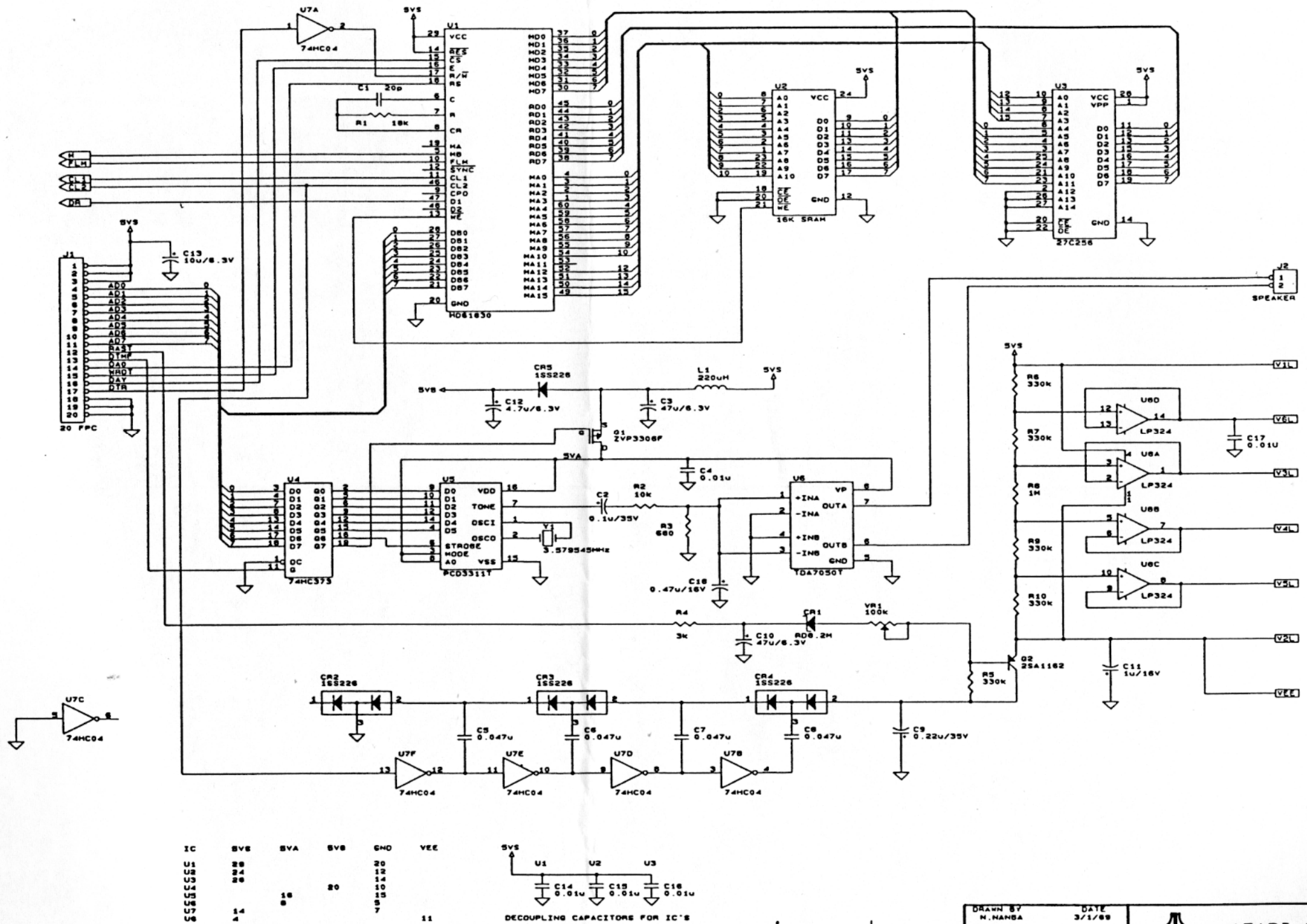
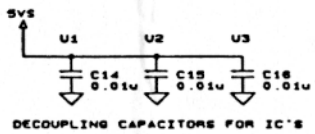


REV	REVISIONS DESCRIPTION	DATE	APPROVED
A	PRODUCTION RELEASE	7-18-89	Y. OKUBO
B	REVISED PER ECO NO.01205	7-8-89	<i>[Signature]</i>



IC	SVS	SVY	SVB	GND	VEE
U1	28			20	
U2	24			12	
U3	28			14	
U4				10	
U5		18	20	15	
U6				5	
U7	14			7	
U8	4				11

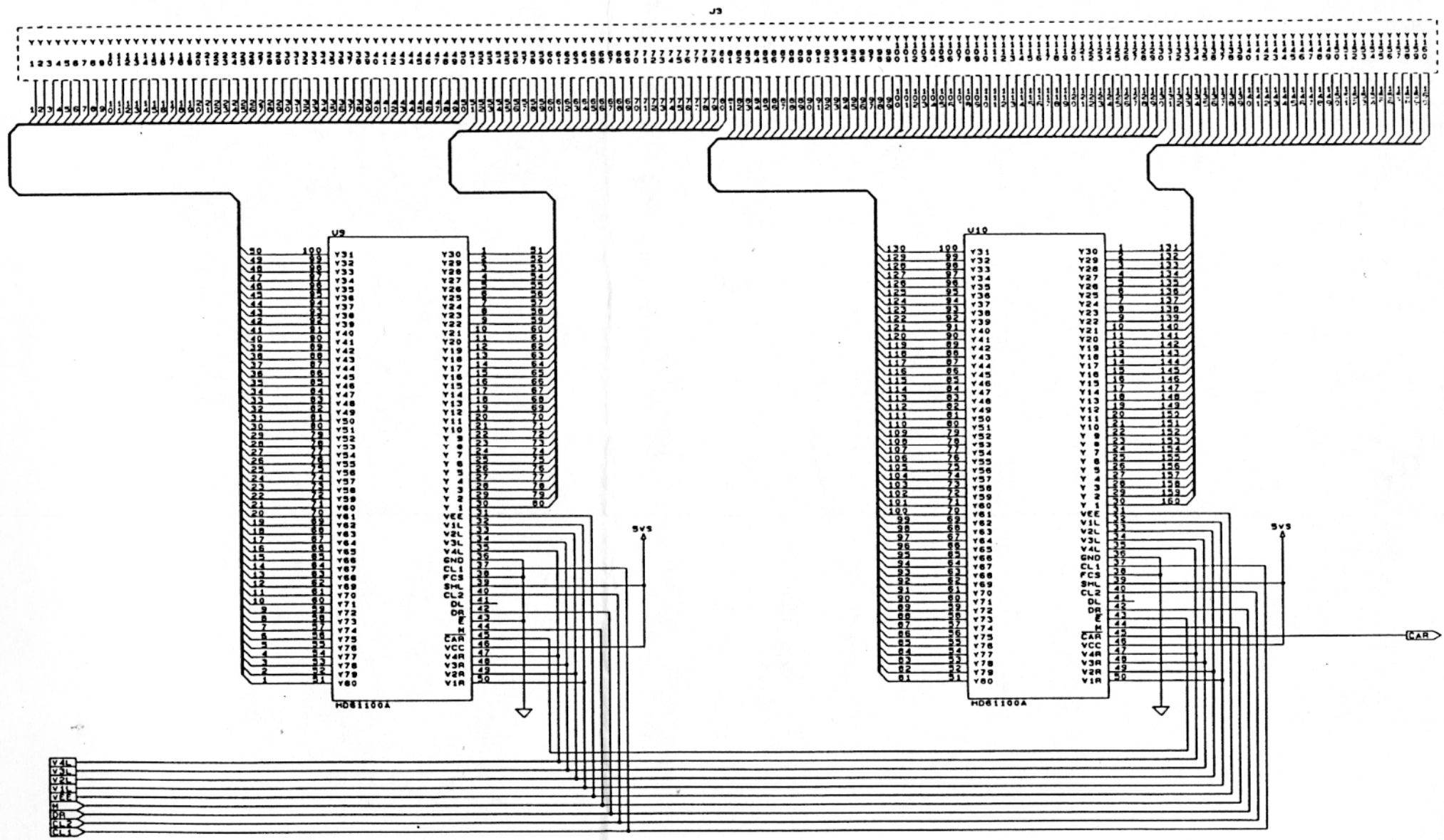


2. CAPACITORS ARE MEASURED IN FARADS.
 1. RESISTORS ARE MEASURED IN OHMS.
 NOTES-UNLESS OTHERWISE SPECIFIED:

DRAWN BY	N.NAMBA	DATE	3/1/89
CHECKED	K.KITAGAWA	DATE	3/1/89
ENGINEER	K.MARUYAMA	DATE	3/8/89
APPROVED		DATE	
APPROVED	S.OKAZAKI	DATE	3/8/89

ATARI CORPORATION	
SCHEMATIC DIAGRAM LCD PC 0	
SIZE C DRAWING NO. C103365 SHEET 1 OF 3	REV B

REV	REVISIONS DESCRIPTION	DATE	APPROVED
	SEE SHEET 1		



NOTES-UNLESS OTHERWISE SPECIFIED:

DRAWN BY N. NAKABA	DATE 1/13/89
CHECKED K. KITAGAWA	DATE 1/17/89
ENGINEER K. MARUYAMA	DATE 1/17/89
APPROVED	DATE
APPROVED S. OKAZAKI	DATE 1/17/89

ATARI CORPORATION

TITLE
SCHEMATIC DIAGRAM
LCD_PC_0

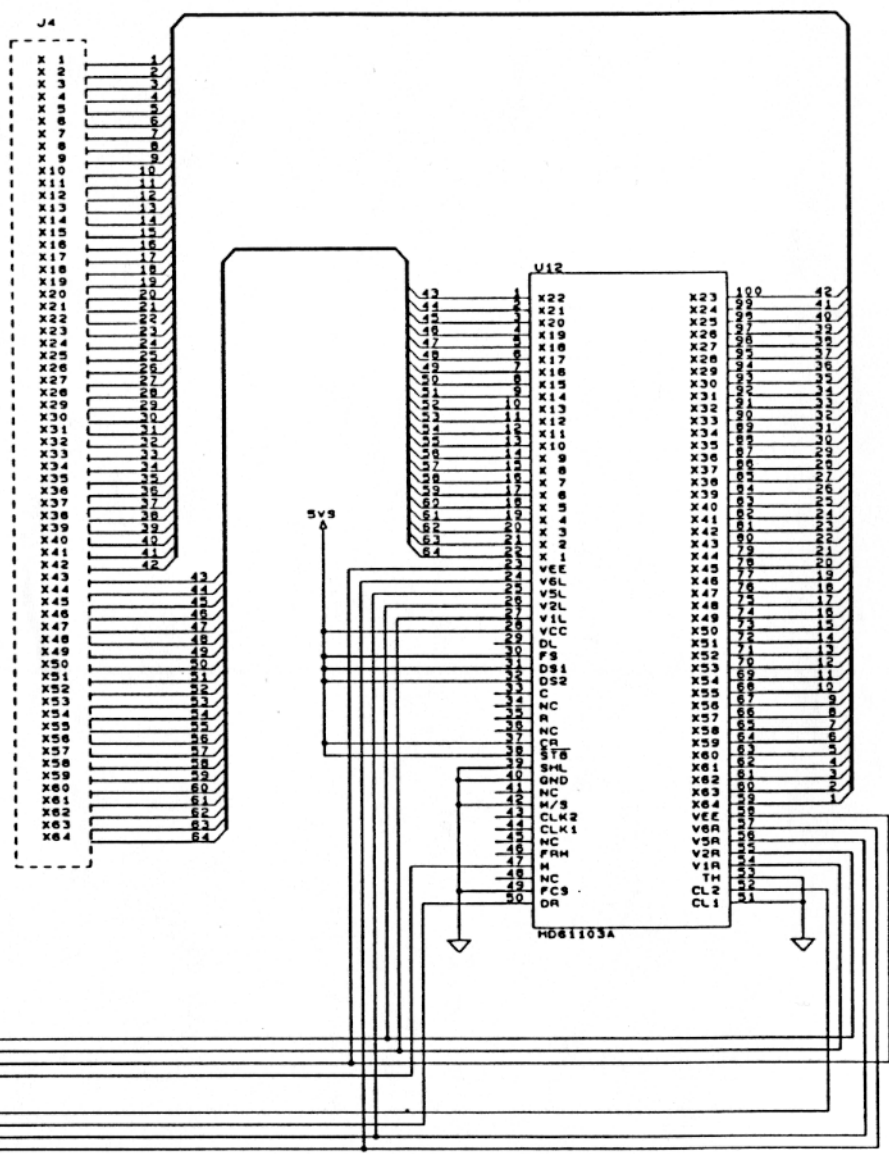
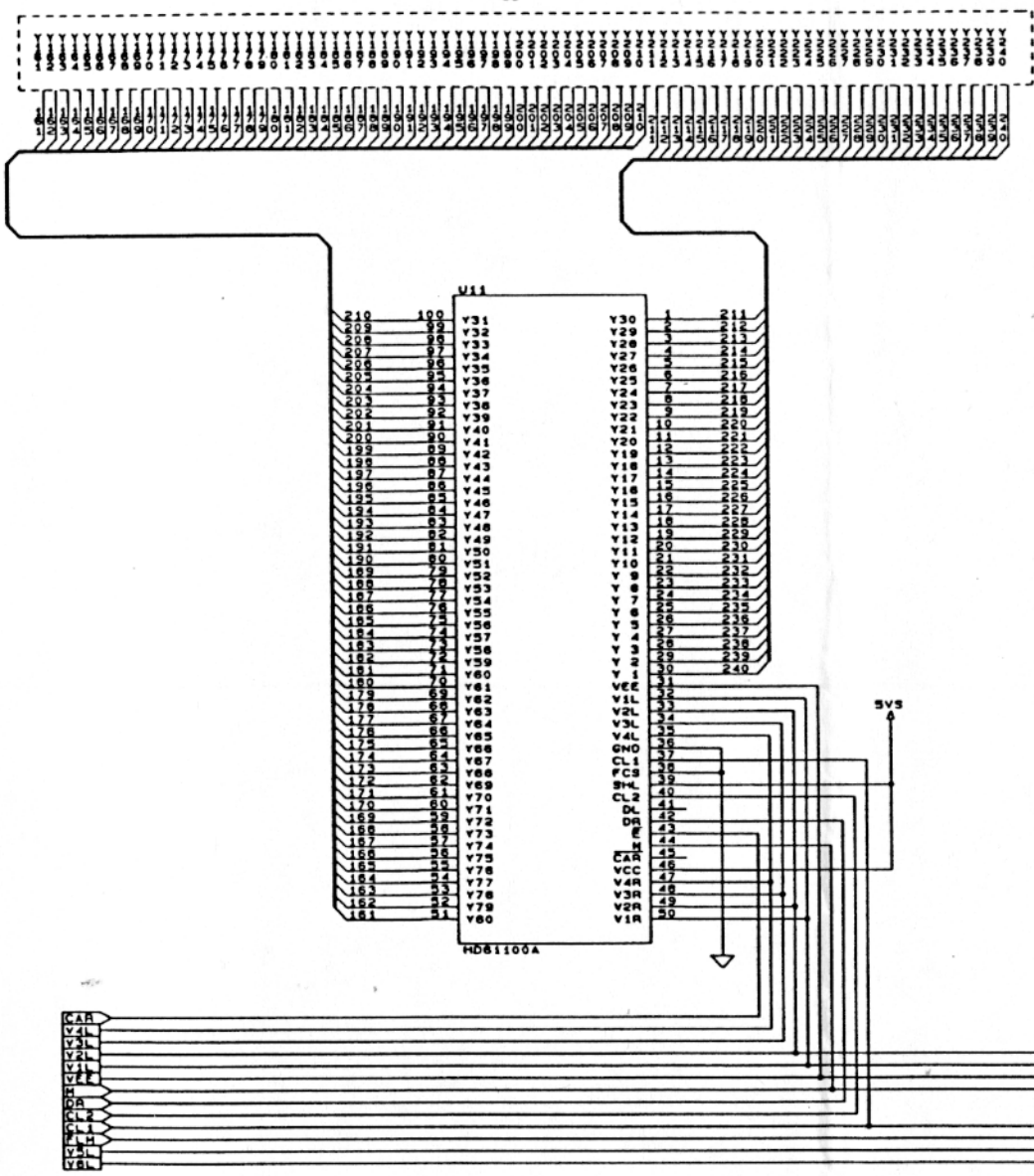
SIZE DRAWING NO. C103365

SHEET 2 OF 3

REV B

USED ON	ORIGINAL MODEL
NEXT ASSY	APPLICATION

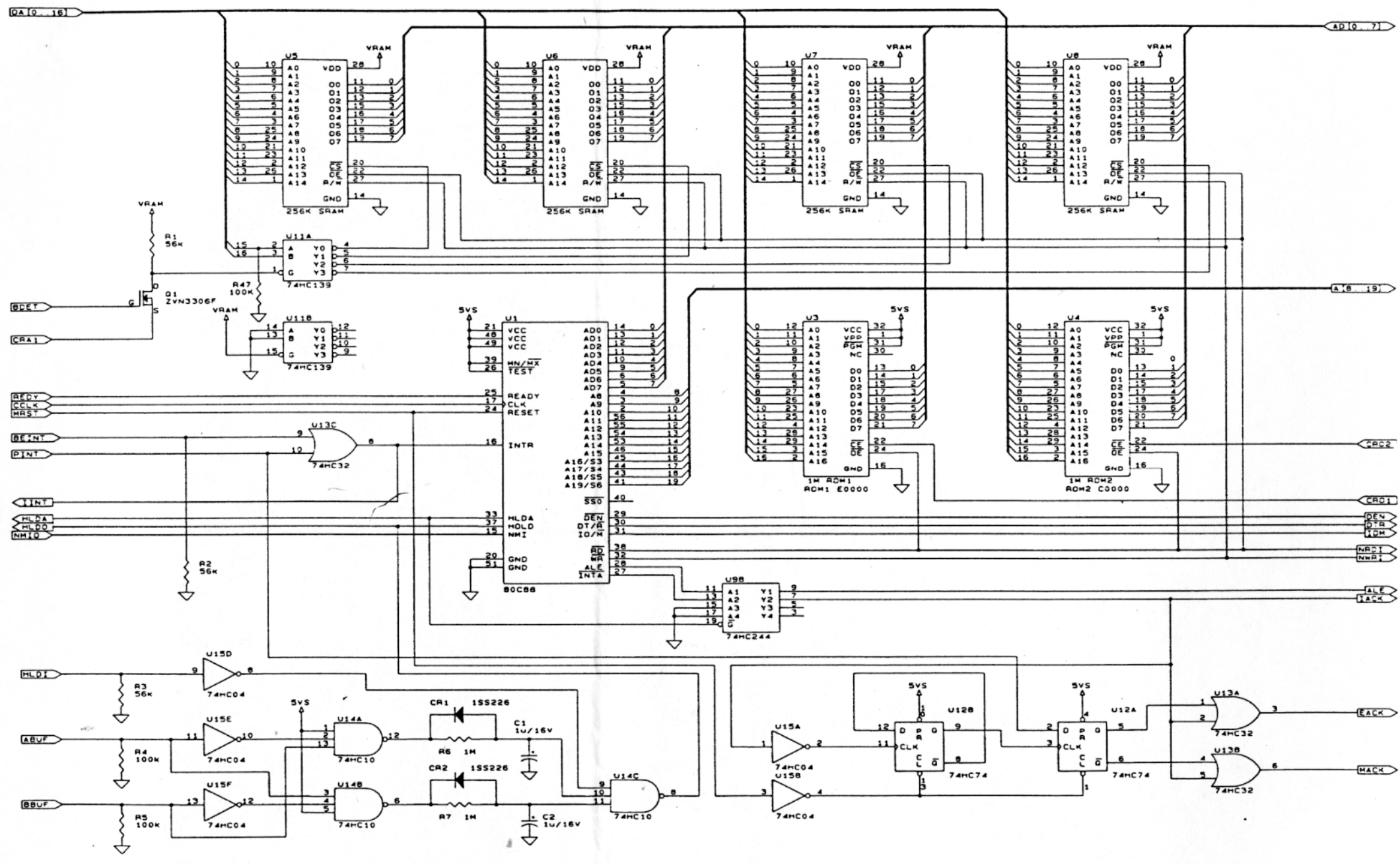
REV	REVISIONS DESCRIPTION	DATE	APPROVED
	SEE SHEET 1		



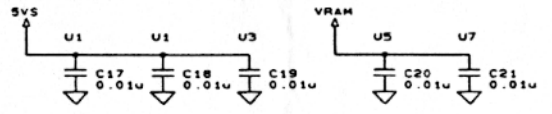
NOTES-UNLESS OTHERWISE SPECIFIED:

<table border="1"> <tr> <td>NEXT ASSY</td> <td>USED ON ORIGINAL MODEL APPLICATION</td> </tr> </table>	NEXT ASSY	USED ON ORIGINAL MODEL APPLICATION	<table border="1"> <tr> <td>DRAWN BY</td> <td>N. NANGA</td> <td>DATE</td> <td>1/13/89</td> </tr> <tr> <td>CHECKED</td> <td>K. KITAGAWA</td> <td>DATE</td> <td>1/17/89</td> </tr> <tr> <td>ENGINEER</td> <td>K. MARUYAMA</td> <td>DATE</td> <td>1/17/89</td> </tr> <tr> <td>APPROVED</td> <td></td> <td>DATE</td> <td></td> </tr> <tr> <td>APPROVED</td> <td>S. OKAZAKI</td> <td>DATE</td> <td>1/17/89</td> </tr> </table>	DRAWN BY	N. NANGA	DATE	1/13/89	CHECKED	K. KITAGAWA	DATE	1/17/89	ENGINEER	K. MARUYAMA	DATE	1/17/89	APPROVED		DATE		APPROVED	S. OKAZAKI	DATE	1/17/89	<table border="1"> <tr> <td colspan="2"> </td> <td>ATARI CORPORATION</td> </tr> <tr> <td colspan="3">TITLE</td> </tr> <tr> <td colspan="3">SCHEMATIC DIAGRAM</td> </tr> <tr> <td colspan="3">LCD PC 0</td> </tr> <tr> <td>SIZE</td> <td>DRAWING NO.</td> <td>REV</td> </tr> <tr> <td>C</td> <td>C103365</td> <td>B</td> </tr> <tr> <td colspan="3">SHEET 3 OF 3</td> </tr> </table>			ATARI CORPORATION	TITLE			SCHEMATIC DIAGRAM			LCD PC 0			SIZE	DRAWING NO.	REV	C	C103365	B	SHEET 3 OF 3		
	NEXT ASSY	USED ON ORIGINAL MODEL APPLICATION																																											
	DRAWN BY	N. NANGA	DATE	1/13/89																																									
	CHECKED	K. KITAGAWA	DATE	1/17/89																																									
ENGINEER	K. MARUYAMA	DATE	1/17/89																																										
APPROVED		DATE																																											
APPROVED	S. OKAZAKI	DATE	1/17/89																																										
		ATARI CORPORATION																																											
TITLE																																													
SCHEMATIC DIAGRAM																																													
LCD PC 0																																													
SIZE	DRAWING NO.	REV																																											
C	C103365	B																																											
SHEET 3 OF 3																																													

REV	REVISIONS DESCRIPTION	DATE	APPROVED
A	PRODUCTION RELEASE	7/18/89	Y. OKUBO
B	REVISED PER ECO NO. 01207	9/8/89	Y. OKUBO
C	REVISED PER ECO NO. 01312	12/22/89	Y. OKUBO
D	REVISED PER ECO NO. 1166	10-17-91	J. HILL

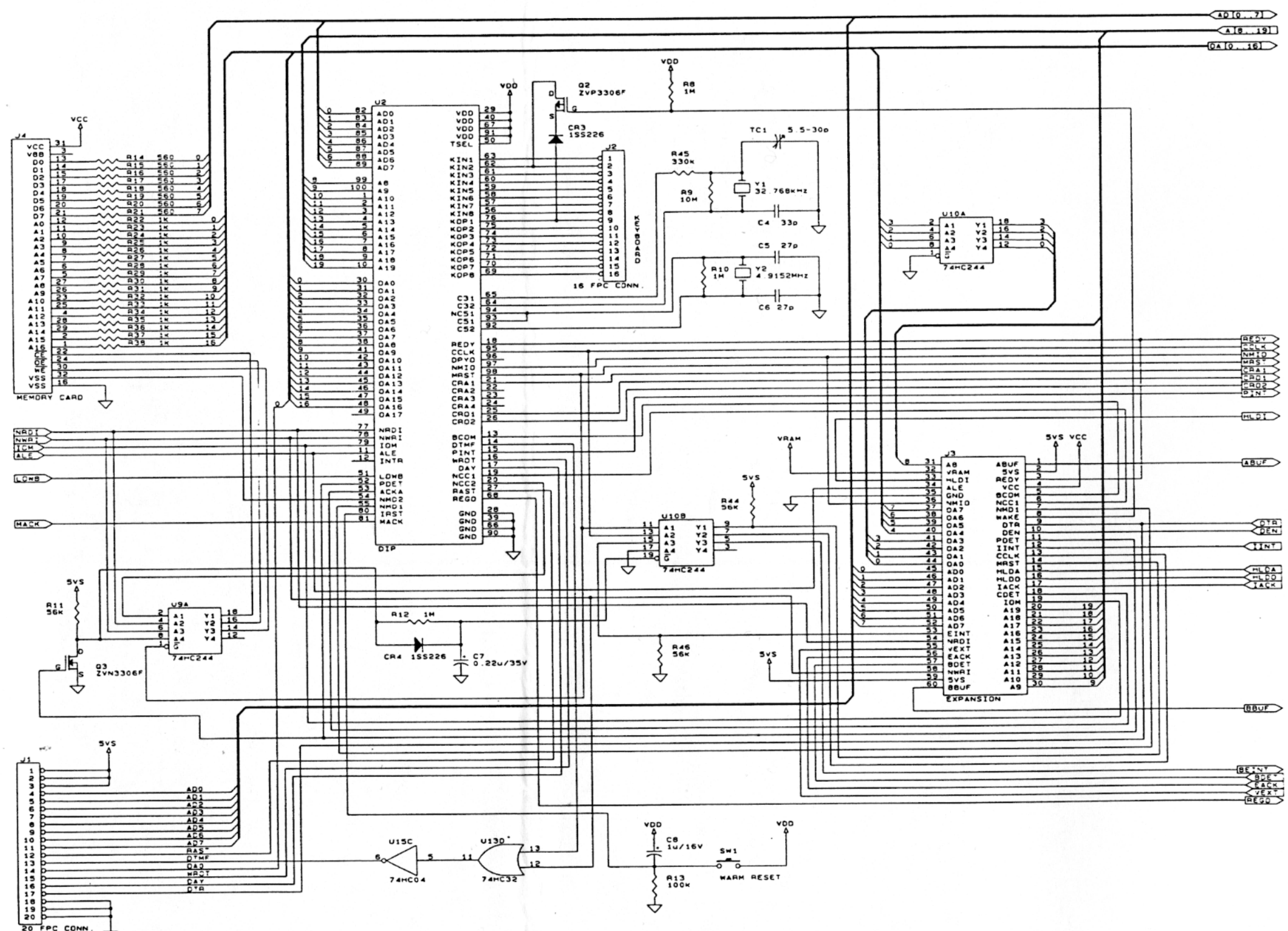


IC	SVS	VRAM	GND
U1	21, 48, 49		20, 51
U3	32		16
U4	32		16
U5		28	14
U6		28	14
U7		28	14
U8		28	14
U8B	20		10
U11		16	8
U12	14		7
U13	14		7
U14	14		7
U15	14		7

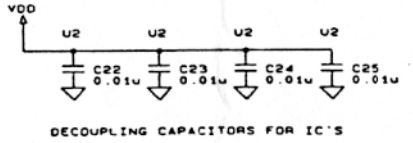


2. CAPACITORS ARE MEASURED IN FARADS.
 1. RESISTORS ARE MEASURED IN OHMS.
 NOTES-UNLESS OTHERWISE SPECIFIED:

DRAWN BY N. NAKABA	DATE 3/1/89	ATARI CORPORATION
CHECKED K. KITAGAWA	DATE 3/1/89	
ENGINEER K. MARUYAMA	DATE 3/8/89	TITLE SCHEMATIC DIAGRAM CPU PC 0
APPROVED S. OKAZAKI	DATE 3/9/89	SIZE DRAWING NO. C 103362
CA200457-XXX PC 0 NEXT ASSY ORIGINAL MODEL APPLICATION	APPROVED DATE	REV D SHEET 1 OF 3



IC	VDD	SVS	GND
U2	29, 40		28, 39
U10	67, 91	20	10



NOTES-UNLESS OTHERWISE SPECIFIED:

DRAWN BY N. NANGA	DATE 3/8/89
CHECKED K. KITAGAWA	DATE 3/8/89
ENGINEER K. MARUYAMA	DATE 3/8/89
APPROVED	DATE
APPROVED S. OKAZAKI	DATE 3/9/89

ATARI CORPORATION

ATARI

TITLE: SCHEMATIC DIAGRAM
CPU PC 0

SIZE: C DRAWING NO. C103362 REV D

SHEET 2 OF 3

